

»» **LATHE GUARDS**

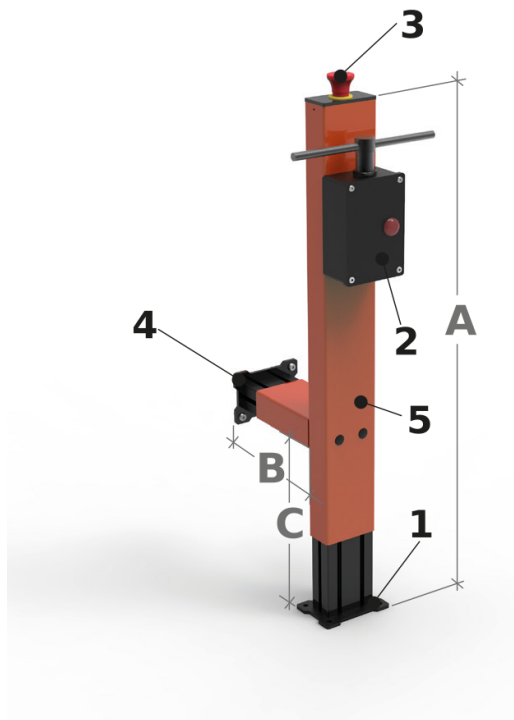
CKH 01

PRODUCT SHEET

Last update:
10/04/2023

FEATURES

1. Floor fixing iron plate
2. Box with inductive sensor and led warning light
3. Emergency pushbutton
4. Iron plate for machine connection
5. Aluminum telescopic profile - orange RAL2004

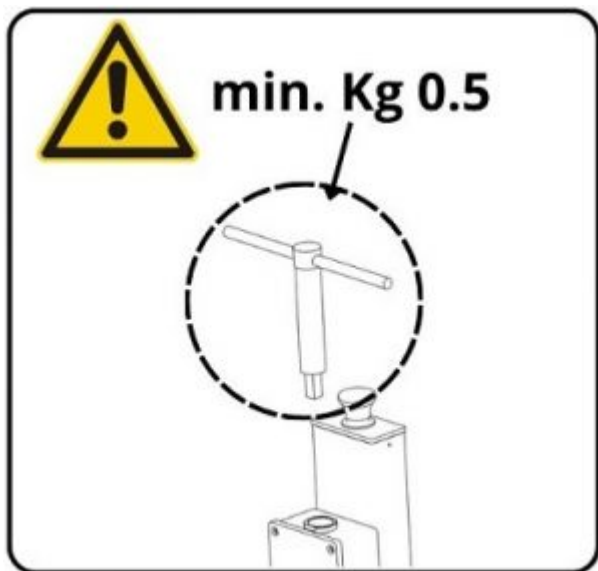


This device allows the key of the lathe spindle to be placed safely. It can be secured on the ground and on the machine. Equipped with housing for the spindle key and inductive sensor which prevents the lathe motor to start when the key is not in.

Also provided with an emergency pushbutton and warning light for key absence. The item is supplied complete with a bushing kit (kit consisting of three bushings: Ø10mm, Ø12mm and Ø14mm).

Our protections comply with the machinery directive 2006/42/CE





CODE	A	B	C	KG
CKH 001	710-840	126-230	140-240	8.2
CKH 001/S

Our protections comply with the machinery directive 2006/42/CE



via Pio la Torre, 5 - 61010 Tavullia (PU) - Italy - VAT ID: 03657250407
 Phone n°: +39 0721 476381 - Fax: +39 0721 476608 - Mail: info@tecnopiu.it