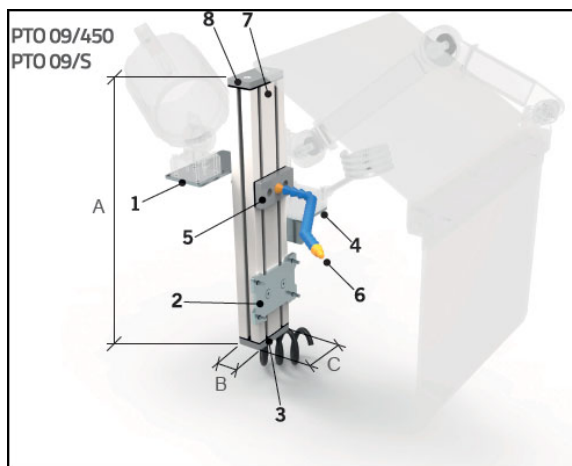


»» **LATHE GUARDS**

PTO 09

PRODUCT SHEET

Last update:
04/13/2023



FEATURES

1. Lamp support
2. Adjustable fixing plate
3. Lubricant-coolant input flange
4. Operator guard angular support
5. Lubricant-coolant output flange
6. Lubricant-coolant flexible dispenser
1. Structural aluminium profile with internal conduit for lubricant-coolant
8. Aluminium plug with gasket

Attachable to the longitudinal carriage, the column, whose weight can be adjusted for a better configuration, is made of aluminum profile and is equipped with support stirrups for the lamp series **PLS 05/06** and for the operator safety guard **PTO10 / PTO11** .

In addition, the column is equipped with clutch on the lower side and LOC-LINE adjustable distributor for the lubricant-coolant (assembly kit to be positioned on the profile).

CODE	A	B	C	KG.
PTO 09/450	450	45	90	3,5
PTO 09/S	-	45	90	-

Our protections comply with the machinery directive 2006/43/CE

CE
<https://www.tecnopiu.it/>