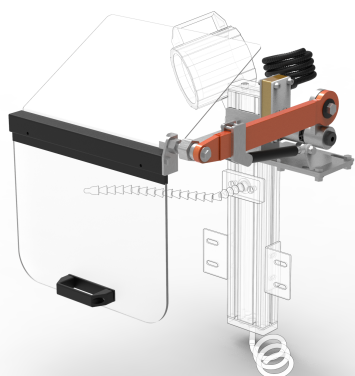


»» **LATHE GUARDS**

PTO 14

PRODUCT SHEET

Last update:
07/02/2024



FEATURES

1. Anchorage Stirrup
2. Safety Microswitch Main Box - 90° Rotation - N. 2 Nc Contacts
3. Articulated Arm - In Tubular Steel
4. Ball And Socket Joint Release Screws
5. Ball And Socket Joint For Shield Orientation
6. Shield - In Shockproof And Oil Resistant Plastic Material
7. Upper Anti-Shaving Partition - In Shockproof And Oil Resistant Plastic Material

Vertical opening safety guard with single arm equipped with gas spring to protect the operator during working operations.

Protects the operator from direct contact with rotating components of the chuck and from the projection of shavings and lubricant- coolant. Attachable to PTO09 or a similar support to be positioned on the longitudinal carriage.

The shield, with upper anti-shaving partition made of transparent plastic material, thanks to the articulated arm and the particular ball socket joint is completely adjustable in the best operating position. Complete with safety microswitch

-Complementary items: Attachable to PTO 09 or a similar support to be positioned on the longitudinal carriage

Technical standards:
UNI EN ISO 23125:2015 (Machine tools - Safety - Turning machines)

Our protections comply with the machinery directive 2006/42/CE



UNI EN ISO 14120:2015 (Safety of machinery - Guards - General requirements for the design and construction of fixed and movable guards)

CODE	A	B	C	D	KG
PTO 14/350	350	300	280	320	6,4
PTO 14/435	400	350	310	320	6,7

Our protections comply with the machinery directive 2006/42/CE


<https://www.tecnopiu.it/>



via Pio la Torre, 5 - 61010 Tavullia (PU) - Italy - VAT ID: 03657250407
Phone n°: +39 0721 476381 - Fax: +39 0721 476608 - Mail: info@tecnopiu.it