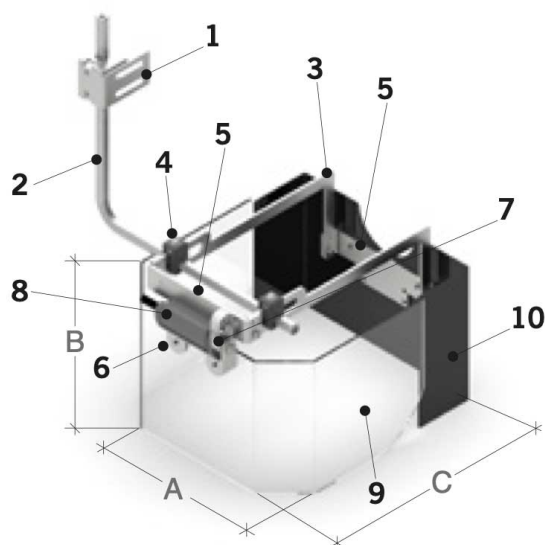


» DRILLS GUARDS

PTR 40/320 - PTR 40/S

PRODUCT SHEET

Last update:
11/26/2023



FEATURES

Protects the operator from direct frontal contact with rotating spindle parts and from the projection of shavings and lubricant coolant. The structure consists of a hexagonal arm having wide excursion and of special adjustment clamps acting on the hexagonal arm and on the bearing frame of the shields. The shield features the exclusive vertical "snap" opening system of 60 in 60 degrees. This new arrangement makes it possible to keep the front part of the workable completely free for changing the working piece or tool. The rear shield, in aluminum plate, prevents the access from the rear to the dangerous area by any unauthorized personnel. The safety microswitch is integrated in the special hinge that supports the shield.

1. Anchorage stirrup - in pressed steel
2. Support arm - in steel hexagon
3. Shield frame arms
4. Shield fixing and adjustment clamps
5. Support plates of microswitch and rear shield
6. Support plate of microswitch and front plastic shield
7. Front shield snap opening system
8. Shield opening hinge with integrated microswitch - n. 2 NC contacts
9. Semi-octagonal shield - in polycarbonate
10. Rear shield in aluminum sheet

Universal and solid item with rear protection and lateral opening of the shield with hinge equipped with integrated microswitch.

CODE	A	B	C	KG
PTR 40/320	300	200	334	4,2
PTR 40/S

Our protections comply with the machinery directive 2006/42/CE

